

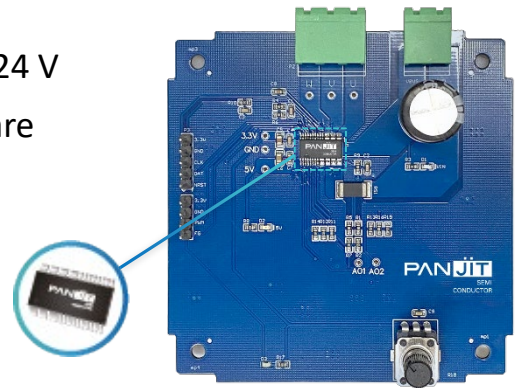
# All-in-One Motor Control Solution

Integrated MCU, Driver, MOSFET, Total Solution for Thermal, SMT, and PCB

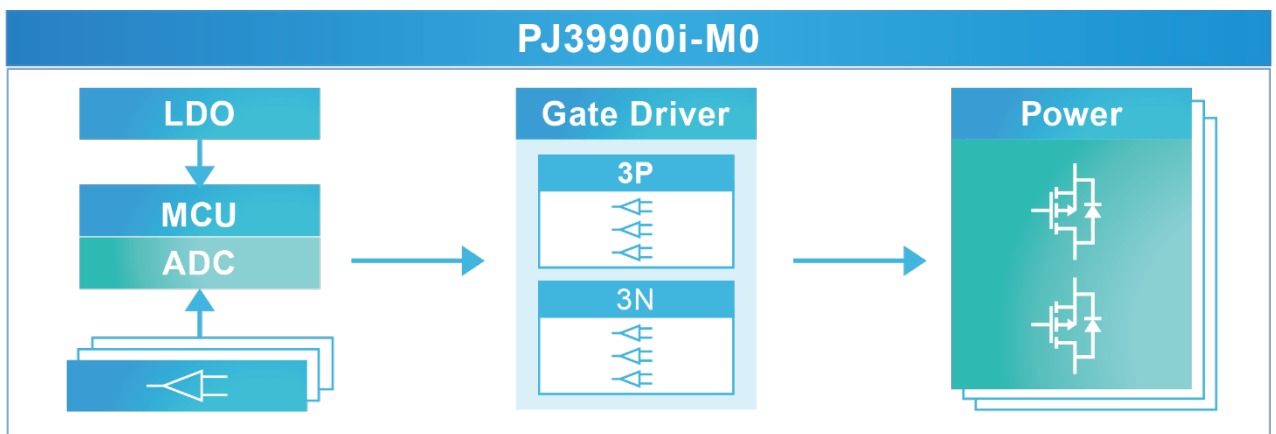


## ► Features

- Support three-phase brushless motor within 24 V
- Support single/double-resistors FOC and square wave solution
- Maximum current of 3 A, power up to 50 W
- Support single-layer PCB board
- Package: TSSOP-25P



## ► Block Diagram



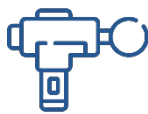
## ► Applications



Air Cleaner



Ceiling Fan



Fascia Gun



Massager



Robot Arm



Industrial Fan



Servo Fan



## Key Features

- Power supply range : 7 V ~ 24 V
- Configure the built-in function of pass-through prevention
- Integrated PN architecture three-phase brushless gate driver and MOSFET array
- ARM® Cortex M0 48MHz
- 16 K Flash, 4 K SRAM
- 1 x UART, 1 x I<sup>2</sup>C, 1 x SPI
- 2 x 16-bit general timers (HTU)
- 1 x 12-bit 1 MSPS ADC, supporting differential pair inputs
- HBM7000V/CDM2000V/LU800mA
- Configure the built-in 500 ns time of dead-zone
- Configure the built-in LDO with 5 V /50 mA and 3.3V/300 mA
- P+N R<sub>DS(on)</sub> < 50 mΩ
- MCU : 2.4 V ~ 5.5 V
- 16 x GPIO, all of which can be used as the external terminal inputs
- 1 x 16-bit advanced PWM timer (ATU)
- 2 x low-offset calculated amplifiers
- -40°C ~ +105°C

## Products Roadmap

